

ILLUSTRATED PARTS BREAKDOWN

PARTNER

11.5 HP 36" LAWN RIDER

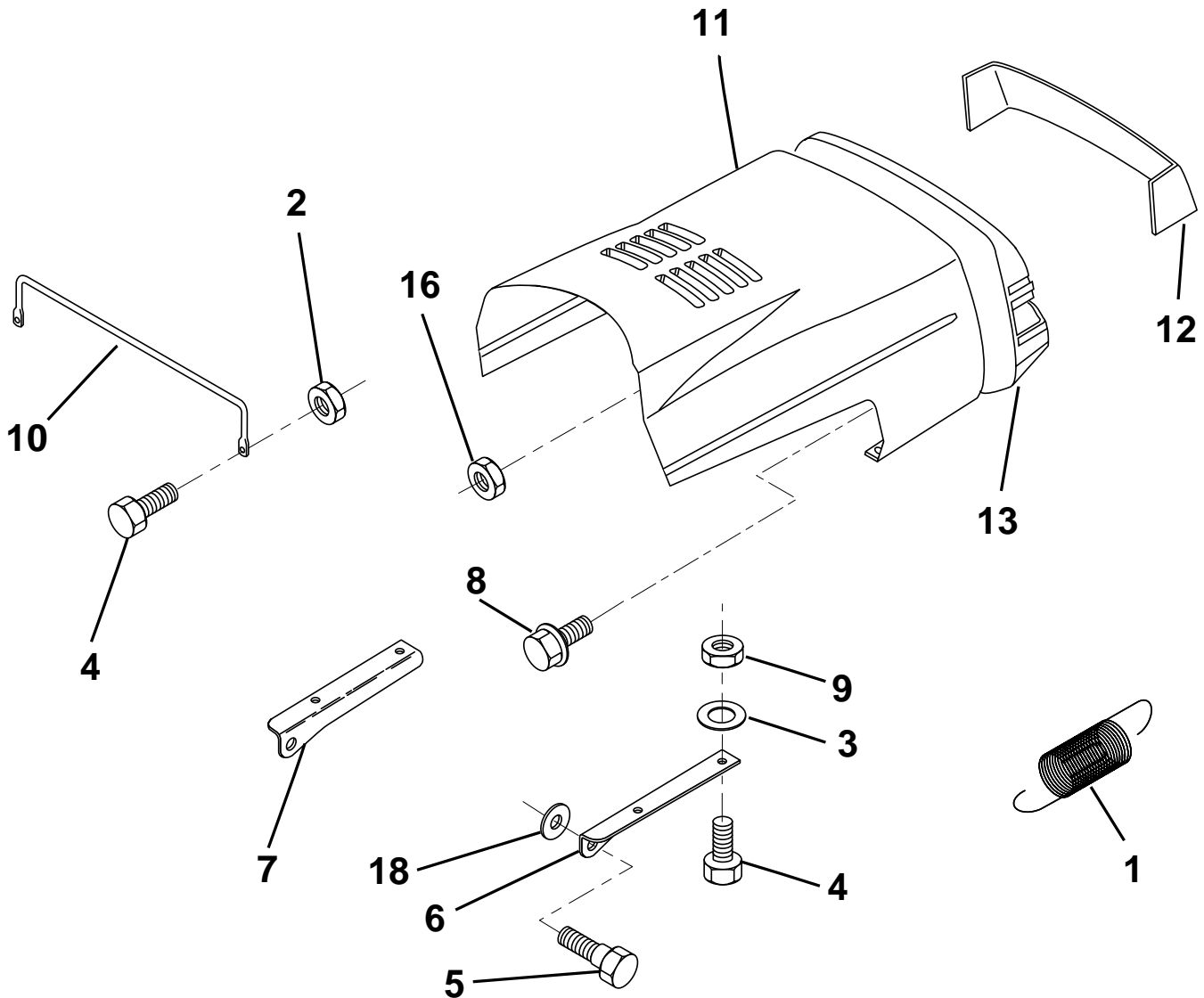
MODEL NO. P115B (P115TC90D)

954 12 00-22

REPAIR PARTS

TRACTOR - - MODEL NUMBER P115B (P115TC90D)

HOOD



| KEY NO. | PART NO. | DESCRIPTION |
|---------|-----------|-----------------------------------|
| 1 | 532124657 | Extension, Spring |
| 2 | 873510400 | Nut, Hex, Keps 1/4-20 |
| 3 | 819091416 | Washer, 9/32 x 7/8 x 16 Ga. |
| 4 | 874780412 | Bolt, Hex Fin. 1/4-20 x 3/4 Gr. 5 |
| 5 | 532139888 | Bolt, Shoulder |
| 6 | 532122549 | Bracket, Hood R. H. |
| 7 | 532122548 | Bracket, Hood L.H. |
| 8 | 817521312 | Screw Slt'd. Hex Hd. w/PL Washer |

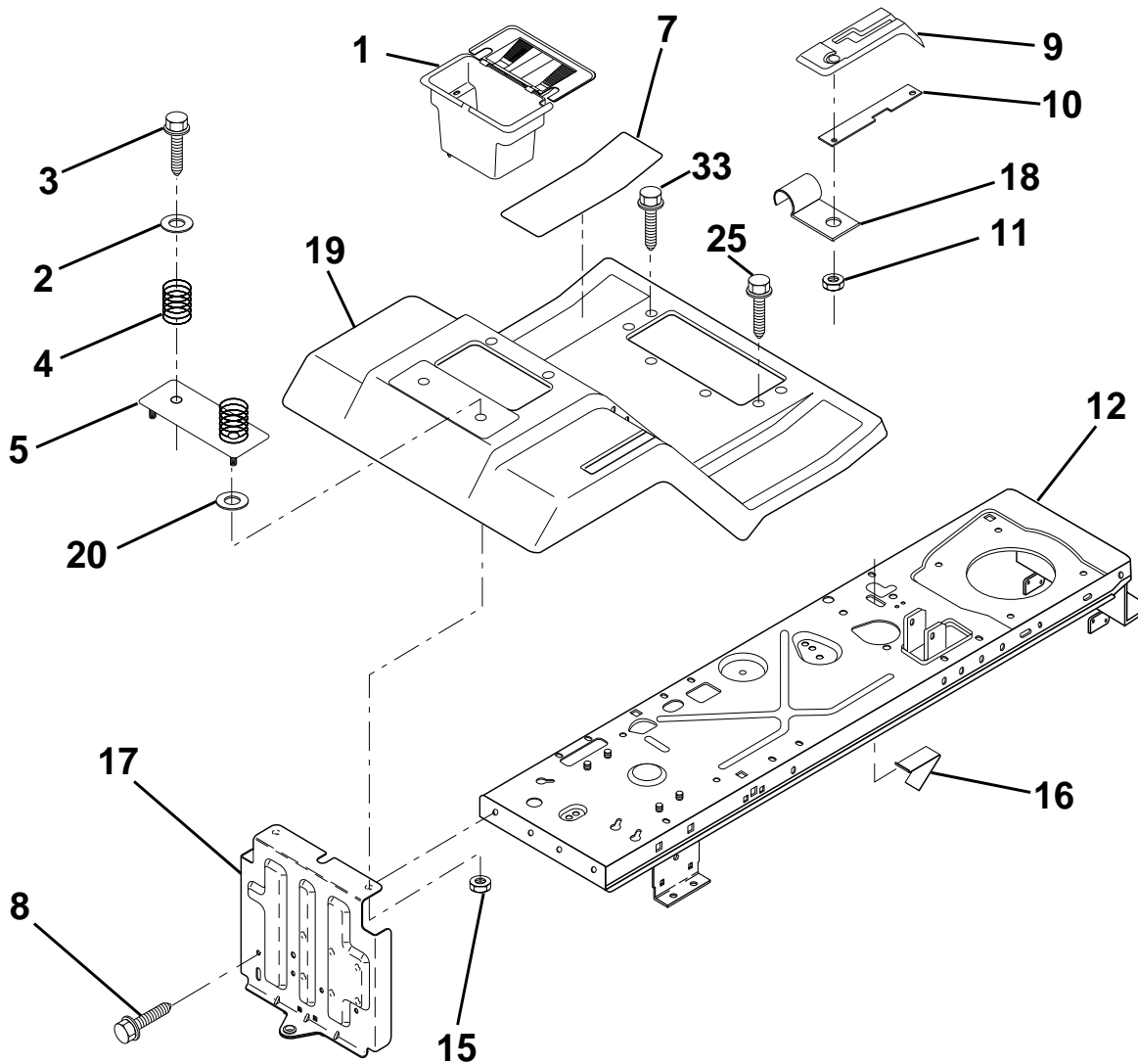
| KEY NO. | PART NO. | DESCRIPTION |
|---------|------------------|-----------------------------------|
| 9 | 873800400 | Nut Lock w/Insert 1/4-20 UNC |
| 10 | 532123693 | Brace, Hood |
| 11 | 532144343 | Hood |
| 12 | 532172006 | Lens |
| 13 | 532172005 | Grille |
| 16 | 532124346 | Nut, Self Thread, Washer Head 1/4 |
| 18 | 819111116 | Washer 11/32 x 11/16 x 16 Ga. |

HARDWARE SHOWN LARGER FOR EASIER IDENTIFICATION

REPAIR PARTS

TRACTOR - - MODEL NUMBER P115B (P115TC90D)

FENDER/CHASSIS



| KEY NO. | PART NO. | DESCRIPTION |
|---------|------------------|---------------------------------------|
| 1 | 532156417 | Case, Battery |
| 2 | 819132012 | Washer 13/32 x 1-1/4 x 12 Ga. |
| 3 | 817490612 | Screw, Hex Wsh. Thrdrol. 3/8-16 x 3/4 |
| 4 | 532124181 | Spring, Compression, Seat |
| 5 | 532125139 | Plate, Asm. Battery |
| 7 | 532124144 | Pad, Footrest |
| 8 | 817060512 | Screw 5/16-18 x 3/4 |
| 9 | 532166313 | Console, Shift Control |
| 10 | 532139783 | Bar, Shift Lock |
| 11 | 532124346 | Nut, Self-Threading, Washer Head 3/16 |

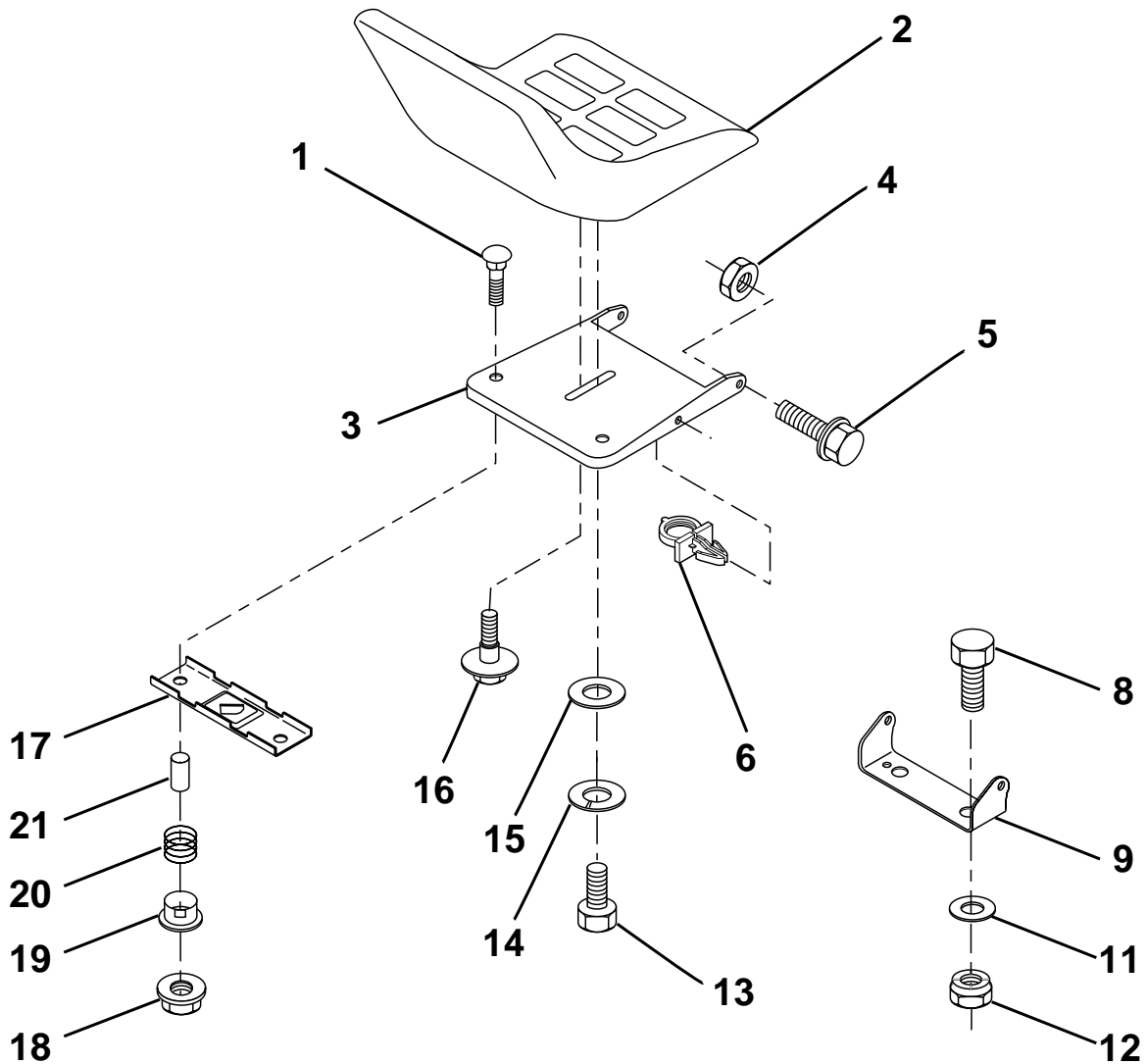
| KEY NO. | PART NO. | DESCRIPTION |
|---------|------------------|------------------------------------|
| 12 | 532145190 | Assembly, Frame |
| 15 | 873640400 | Nut Keps Blk Hex 1/4-20 Unc |
| 16 | 532141736 | Switch Actuator |
| 17 | 532140782 | Drawbar |
| 18 | 532126470 | Clip, Insulated |
| 19 | 532141266 | Fender/Footrest |
| 20 | 819091413 | Washer 9/32 x 7/8 x 13 Ga. |
| 25 | 817060514 | Screw Tap 5/16-18 x 1 |
| 33 | 817190516 | Screw, Hex S.T. Thdrl. 5/16-18 x 1 |
| 34 | 532170165 | Bolt Shoulder 5/16-18 TT |

HARDWARE SHOWN LARGER FOR EASIER IDENTIFICATION

REPAIR PARTS

TRACTOR - - MODEL NUMBER P115B (P115TC90D)

SEAT



| KEY NO. | PART NO. | DESCRIPTION |
|---------|-----------|-------------------------------|
| 1 | 872050412 | Bolt, Carriage 1/4-20 x 1-1/2 |
| 2 | 532140116 | Seat |
| 3 | 532155925 | Pan, Seat |
| 4 | 873800500 | Nut, Crownlock 5/16-18 |
| 5 | 532153236 | Bolt, Shoulder 5/16-18 UNC |
| 6 | 532145006 | Clip, Push-In |
| 8 | 874760616 | Bolt, Fin Hex 3/8-16 UNC x 1 |
| 9 | 532140551 | Bracket, Pivot Seat |
| 11 | 819133210 | Washer 12/32 x 2 x 10 Ga. |
| 12 | 873800600 | Nut, Crownlock 3/8-16 UNC |

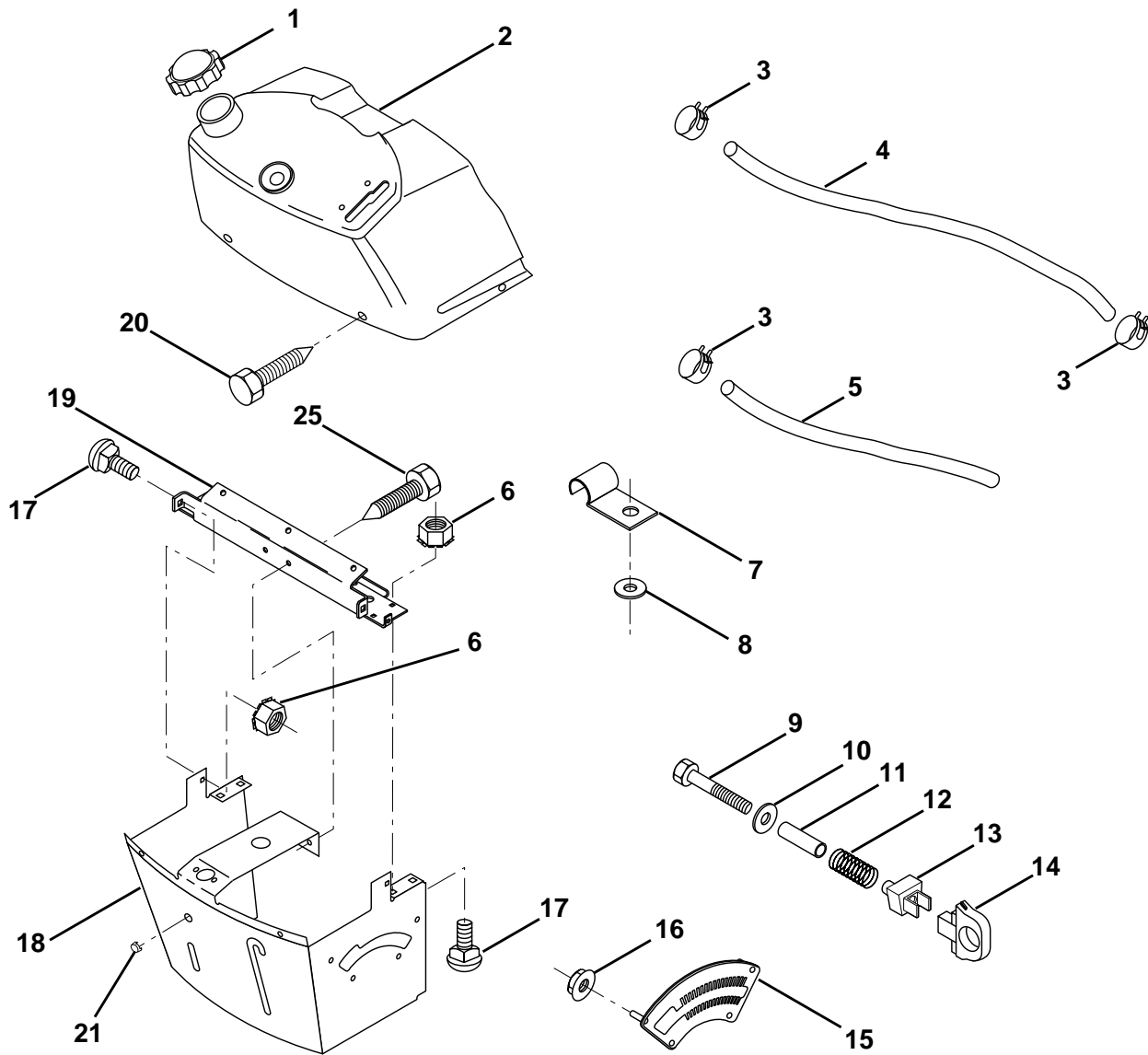
| KEY NO. | PART NO. | DESCRIPTION |
|---------|-----------|--------------------------------------|
| 13 | 874780814 | Bolt, Fin Hex 1/2-13 UNC x 7/8 Gr. 5 |
| 14 | 810040800 | Washer, Lock Hvy Helical Spring |
| 15 | 819171912 | Washer, 17/32 x 1-3/16 x 12 Ga. |
| 16 | 532127018 | Bolt, Shoulder |
| 17 | 532121246 | Bracket, Switch, Mounting |
| 18 | 532123976 | Nut, Hex Large Flange Lock |
| 19 | 532121248 | Bushing, Snap |
| 20 | 532121250 | Spring, Compression |
| 21 | 532134300 | Spacer, Split 28 Id. x .88 Lg. |

HARDWARE SHOWN LARGER FOR EASIER IDENTIFICATION

REPAIR PARTS

TRACTOR - - MODEL NUMBER P115B (P115TC90D)

DASH



| KEY NO. | PART NO. | DESCRIPTION |
|---------|-----------|-------------------------------|
| 1 | 532141523 | Cap, Fuel |
| 2 | 532138393 | Assembly, Dash & Fuel Tank |
| 3 | 532123487 | Clamp, Hose |
| 4 | 532008544 | Line, Fuel |
| 5 | 532008548 | Line, Fuel |
| 6 | 873640400 | Nut, Hex, Keps 1/4-20 |
| 7 | 532124996 | Clip, Fuel Line |
| 8 | 819091216 | Washer 9/32 x 3/4 x 16 Ga. |
| 9 | 874760428 | Bolt, Hex, Fin 1/4-20 x 1-3/4 |
| 10 | 819091413 | Washer 11/32 x 11/16 x 16 Ga. |
| 11 | 532121249 | Spacer, Split |

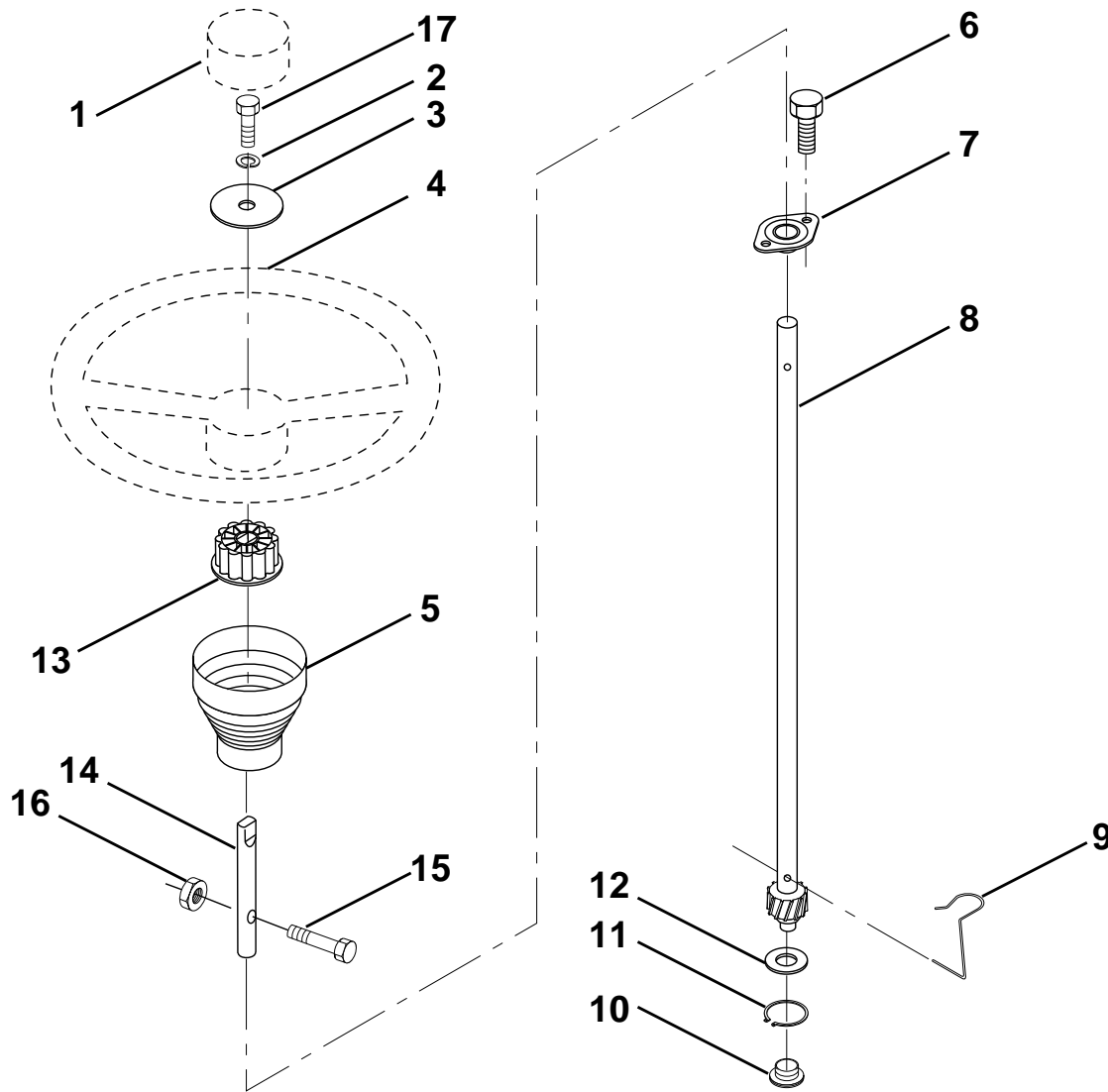
| KEY NO. | PART NO. | DESCRIPTION |
|---------|------------------|-----------------------------------|
| 12 | 532003720 | Spring |
| 13 | 532126450 | Clip, Height Adjustment |
| 14 | 532126115 | Knob, Height Stop |
| 15 | 532122023 | Adjustment, Quadrant Height |
| 16 | 532124346 | Nut, Self-Threading 3/16-18 |
| 17 | 872110404 | Bolt, Carriage 1/4-20 x 1/2 Gr. 5 |
| 18 | 532130745 | Support Assembly, Dash |
| 19 | 532134744 | Brace, Cross |
| 20 | 817060408 | Screw, Self-Tapping 1/4-20 x 1/2 |
| 21 | 532134014 | Plug, Dome |
| 25 | 817720410 | Screw Hex Thd Cut 1/4-20 x 5/8 |

HARDWARE SHOWN LARGER FOR EASIER IDENTIFICATION

REPAIR PARTS

TRACTOR - - MODEL NUMBER P115B (P115TC90D)

STEERING WHEEL



| KEY NO. | PART NO. | DESCRIPTION |
|---------|------------------|-------------------------------|
| 1 | 532140175 | Insert, Wheel, Steering |
| 2 | 810040600 | Washer, Lock Hvy Hcl |
| 3 | 819133812 | Washer 13/32 x 2-3/8 x 12 Ga. |
| 4 | 532139768 | Wheel, Steering |
| 5 | 532121897 | Sleeve, Steering |

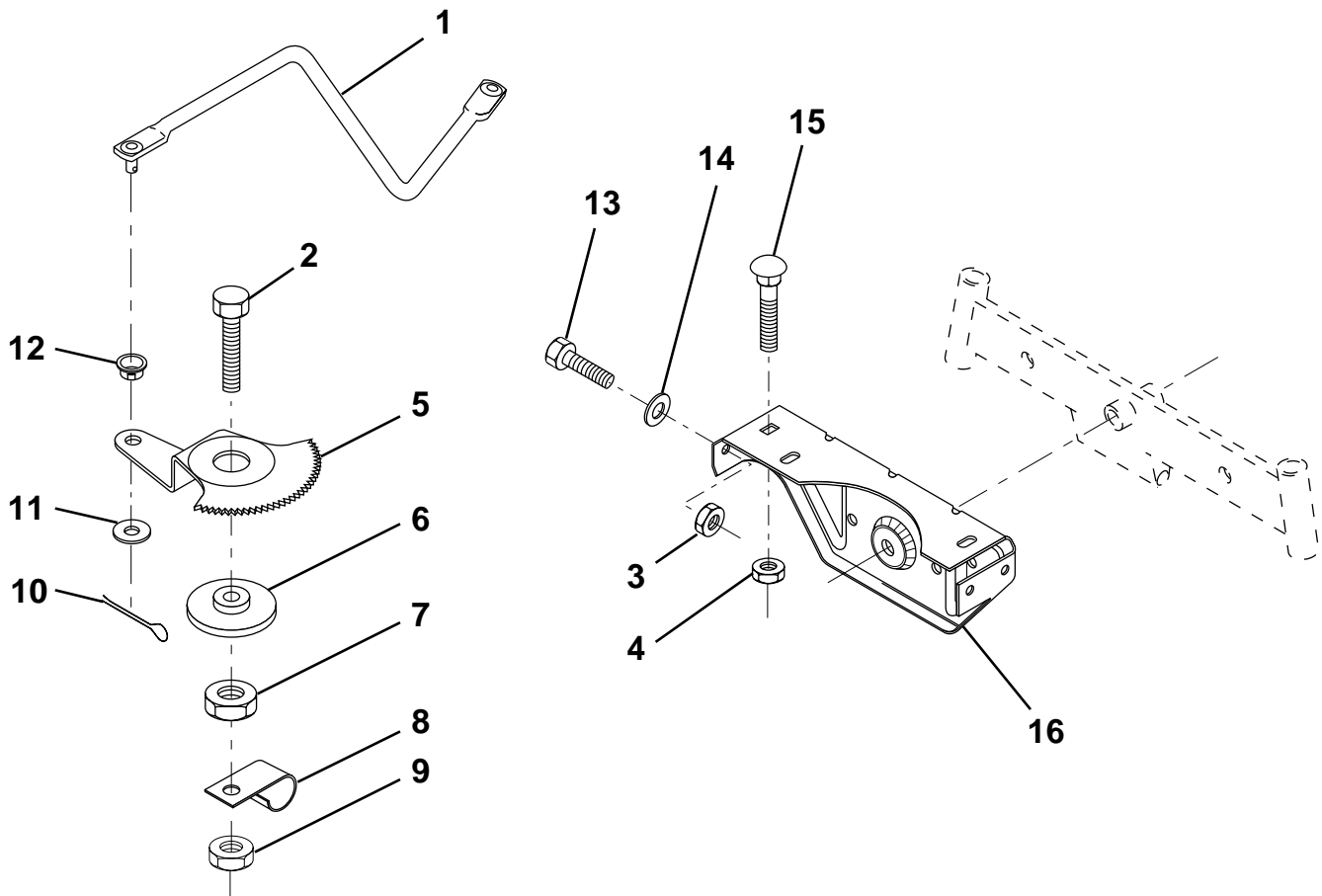
| KEY NO. | PART NO. | DESCRIPTION |
|---------|-----------|-------------------------------------|
| 6 | 532152927 | Screw |
| 7 | 532155104 | Bushing, Steering |
| 8 | 532147391 | Shaft, Steering |
| 9 | 532124210 | Clip, Steering |
| 10 | 532123438 | Bushing, Lower, Steering |
| 11 | 812000045 | Ring, Retaining |
| 12 | 819211616 | Washer 21/32 x 1 x 16 Ga. |
| 13 | 532100711 | Adaptor, Wheel, Steering |
| 14 | 532153720 | Extention, Shaft, Steering |
| 15 | 874780520 | Bolt, Fin., Hex 5/16-18 UNC x 1-1/4 |
| 16 | 873800500 | Nut, Lock, Hex W/Ins. 5/16-18 UNC |
| 17 | 874780616 | Bolt, Fin Hex 3/8-16 UNC x 1 |

HARDWARE SHOWN LARGER FOR EASIER IDENTIFICATION

REPAIR PARTS

TRACTOR - - MODEL NUMBER P115B (P115TC90D)

SECTOR GEAR / AXLE SUPPORT



| KEY NO. | PART NO. | DESCRIPTION |
|---------|-----------|------------------------------------|
| 1 | 532132566 | Link, Drag |
| 2 | 874780828 | Bolt, Fin Hex 1/2-13 x 1-3/4 |
| 3 | 873680500 | Nut, Crownlock 5/16-18 |
| 4 | 873680600 | Nut, Crownlock 3/8-16 |
| 5 | 532121926 | Gear, Sector |
| 6 | 532121927 | Bushing |
| 7 | 873030800 | Nut, Heavy Hex Top Lock 1/2-13 UNC |
| 8 | 532126472 | Clip, Insulated |

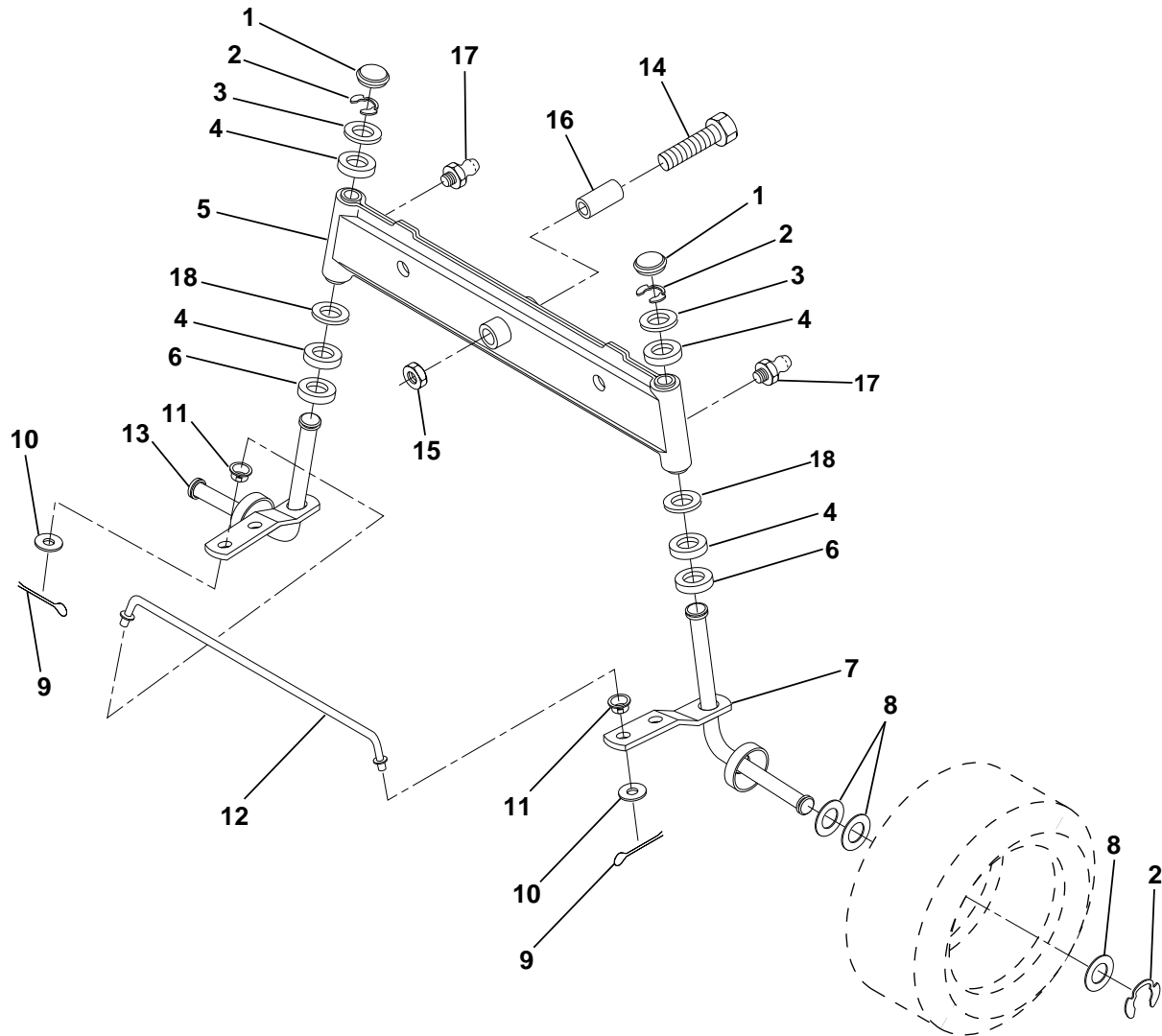
| KEY NO. | PART NO. | DESCRIPTION |
|---------|-----------|---------------------------------|
| 9 | 873680800 | Nut, Crownlock 3/8-16 |
| 10 | 876020412 | Pin, Cotter 1/8 x 3/4 |
| 11 | 819131316 | Washer, 13/32 x 13/16 x 16 Ga. |
| 12 | 532126847 | Bushing |
| 13 | 874760512 | Bolt, Hex Hd. 5/16-18 UNC x 3/4 |
| 14 | 819111416 | Washer 11/32 x 7/8 x 16 Ga. |
| 15 | 872110606 | Bolt, Carriage 3/8-16 UNC x 3/4 |
| 16 | 532137096 | Support, Front Axle |

HARDWARE SHOWN LARGER FOR EASIER IDENTIFICATION

REPAIR PARTS

TRACTOR - - MODEL NUMBER P115B (P115TC90D)

FRONT AXLE



| KEY NO. | PART NO. | DESCRIPTION |
|---------|-----------|-------------------------------|
| 1 | 532121232 | Cap, Spindle |
| 2 | 812000029 | Ring, Clip |
| 3 | 532121748 | Washer 25/32 x 1-5/8 x 16 Ga. |
| 4 | 532124937 | Bearing Col. Strg. |
| 5 | 532142033 | Axle, Front |
| 6 | 532124931 | Bearing, Thrust |
| 7 | 532161826 | Spindle, R.H. Asm. |
| 8 | 532121749 | Washer 25/32 x 1-1/4 x 16 Ga. |
| 9 | 876020412 | Pin, Cotter 1/8 x 3/4 |

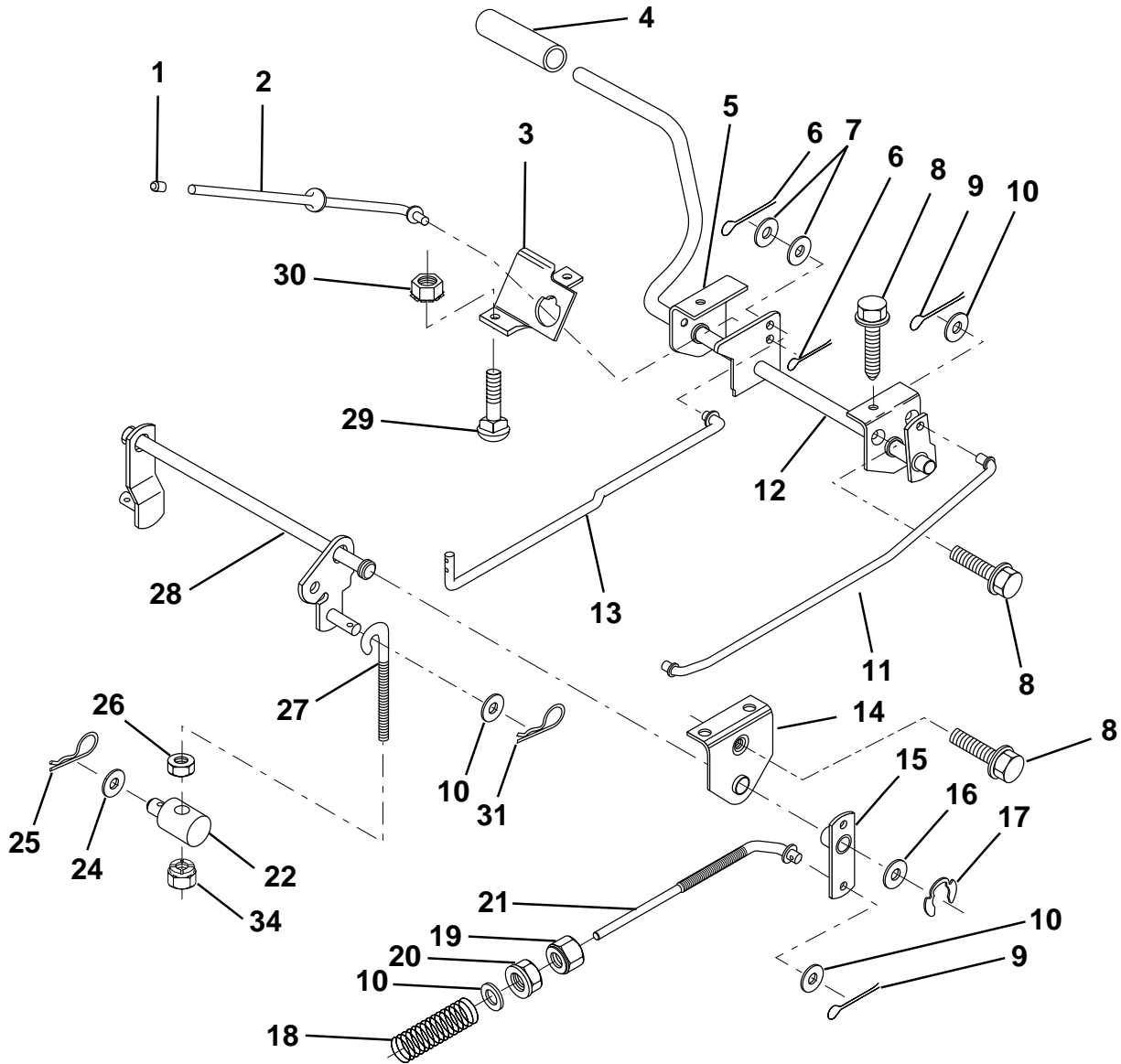
| KEY NO. | PART NO. | DESCRIPTION |
|---------|-----------|-------------------------------|
| 10 | 819131316 | Washer 13/32 x 13/16 x 16 Ga. |
| 11 | 532126847 | Bushing |
| 12 | 532130465 | Rod, Tie |
| 13 | 532161827 | Spindle, L.H. Asm. |
| 14 | 874011056 | Bolt Hex 5/8-11 UNC x 3-1/2 |
| 15 | 873901000 | Nut Lock Flange 5/8-11 |
| 16 | 532110438 | Spacer Bearing Axle |
| 17 | 532124836 | Fitting Grease |
| 18 | 819272016 | Washer 27/32 x 1-1/4 x 16 Ga. |

HARDWARE SHOWN LARGER FOR EASIER IDENTIFICATION

REPAIR PARTS

TRACTOR - - MODEL NUMBER P115B (P115TC90D)

BRAKE/REAR MOWER LIFT ASSEMBLY



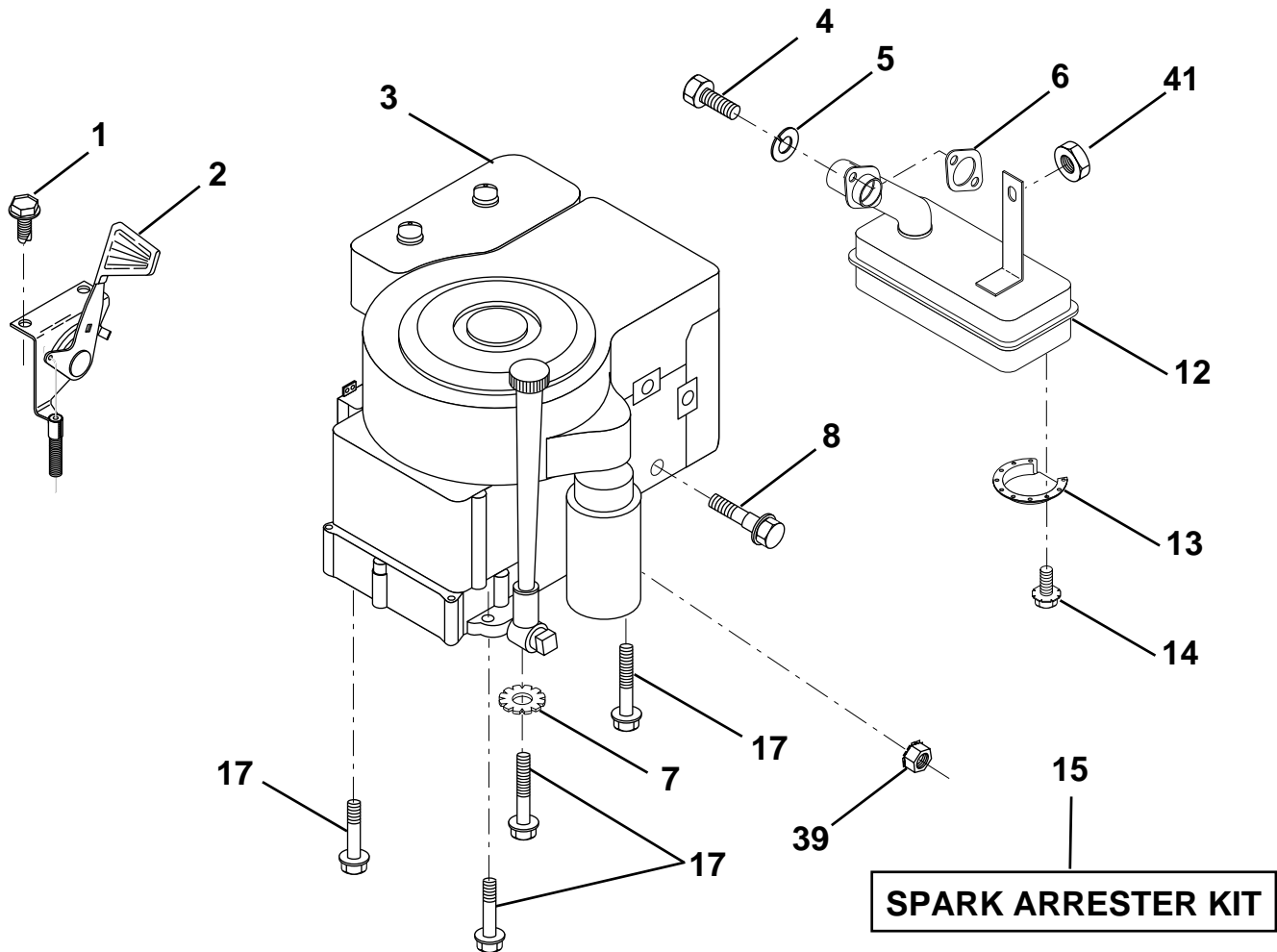
| KEY NO. | PART NO. | DESCRIPTION | KEY NO. | PART NO. | DESCRIPTION |
|---------|-----------|--------------------------------------|---------|-----------|----------------------------------|
| 1 | 532071673 | Cap, Plunger | 16 | 819251816 | Washer 25/32 x 1-1/8 x 16 Ga. |
| 2 | 532123436 | Rod, Parking Brake | 17 | 812000034 | Ring, Klip |
| 3 | 532123437 | Bracket, Parking Brake | 18 | 532151332 | Spring, Brake Rod |
| 4 | 532008156 | Cover, Pedal | 19 | 873350600 | Nut, Hex, Jam 3/8-16 UNC |
| 5 | 532122504 | Bracket, Clutch Pedal, LH | 20 | 873800600 | Nut, Lock, Hex W/Ins. 3/8-16 UNC |
| 6 | 876020312 | Pin, Cotter 3/32 x 3/4 | 21 | 532131460 | Rod, Rear Brake |
| 7 | 819131016 | Washer 13/32 x 5/8 x 16 Ga. | 22 | 532144585 | Trunnion, Lift |
| 8 | 817490508 | Screw, Hex, Thd. Roll. 5/16-18 x 1/2 | 24 | 819132012 | Washer 13/32 x 1-1/4 x 12 Ga. |
| 9 | 876020412 | Pin, Cotter 1/8 x 3/4 | 25 | 532124961 | Spring, Retainer |
| 10 | 819131316 | Washer 13/32 x 13/16 x 16 Ga. | 26 | 873930600 | Nut, Centerlock 3/8-16 UNC |
| 11 | 532123543 | Rod, Brake Front | 27 | 532127369 | Link, Threaded |
| 12 | 532139933 | Assembly, Clutch/Brake Pedal | 28 | 532140776 | Assembly, Rear Mower Lift |
| 13 | 532123394 | Rod, Clutch | 29 | 872110506 | Bolt, Carriage 5/16-18 UNC x 3/4 |
| 14 | 532121978 | Bracket, Lift, Shaft | 30 | 873510500 | Nut, Keps 5/16-16 UNC |
| 15 | 532133332 | Assembly, Brake, Pivot, Arm | 31 | 532124660 | Retainer, Spring |
| | | | 34 | 873680600 | Nut, Crownlock 3/8-16 UNC |

HARDWARE SHOWN LARGER FOR EASIER IDENTIFICATION

REPAIR PARTS

TRACTOR - - MODEL NUMBER P115B (P115TC90D)

ENGINE/THROTTLE



| KEY NO. | PART NO. | DESCRIPTION |
|---------|-----------|----------------------------------|
| 1 | 817720410 | Screw, Hex Thd. Cut 1/4-20 x 5/8 |
| 2 | 532132752 | Control, Throttle |
| 3 | ----- | Engine, Tec. OHV130 |
| 4 | 532123528 | Bolt, Hex Hd Phillips |
| 5 | 810040500 | Washer Lock Hvy Hlcl Spr. 5/16 |
| 6 | 532165291 | Gasket, Exhaust |
| 7 | 811050600 | Washer, Lock Ext. Tooth 3/8 |
| 8 | 532081328 | Bolt, Shoulder 5/16 |
| 12 | 532156448 | Muffler |

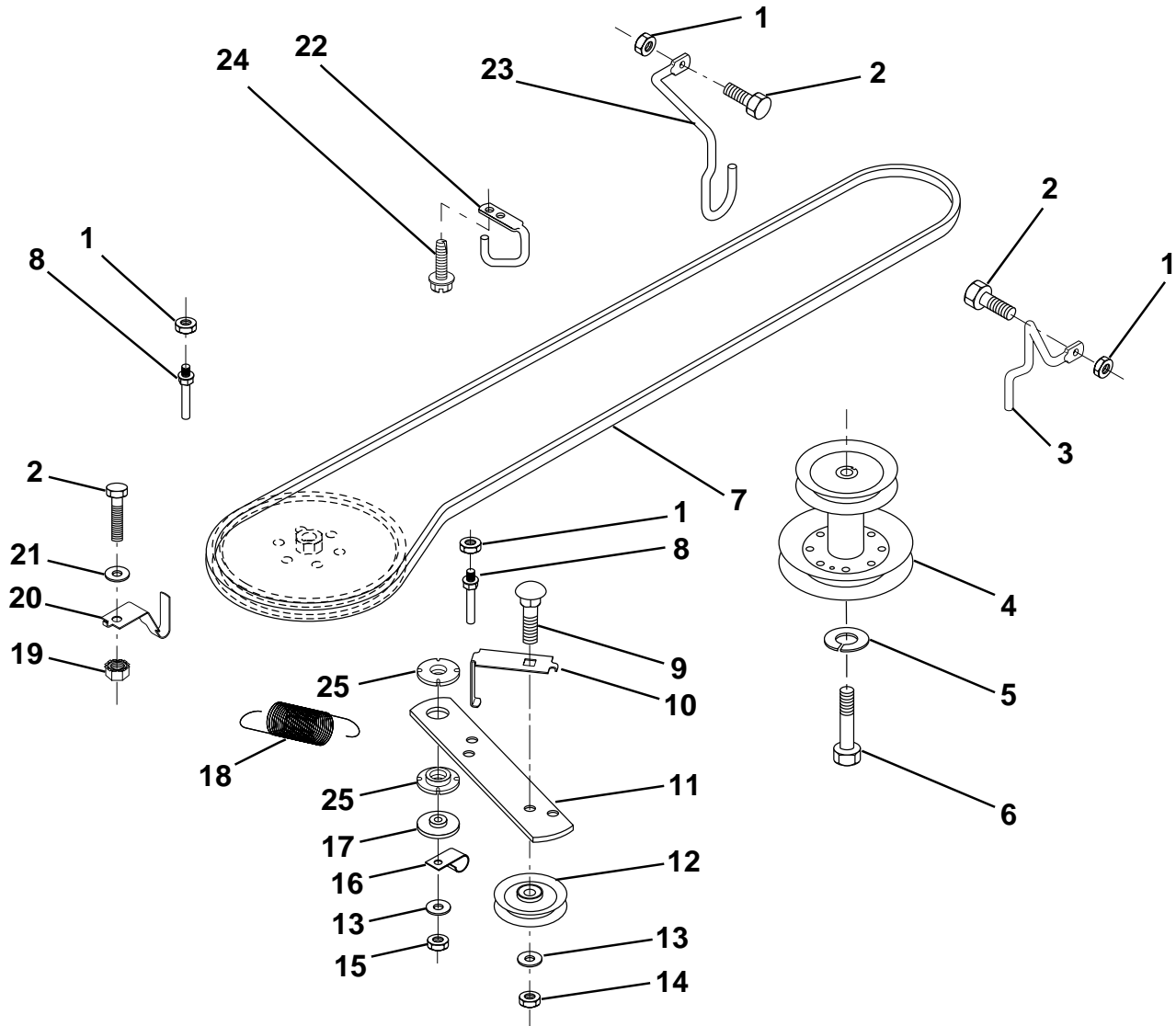
| KEY NO. | PART NO. | DESCRIPTION |
|---------|-----------|---|
| 13 | 532101326 | Deflector, Mower |
| 14 | 817030808 | Screw, Spiderloc |
| 15 | 532137180 | Arrester, Spark (Optional equipment) |
| 17 | 817490624 | Screw, Hex Wsh Hd Thdrol 3/8-16 x 1-1/2 |
| 39 | 532128861 | Nut, Flange 1/4-20 |
| 41 | 873900500 | Nut Lock Hex Flange 5/16-18 |

HARDWARE SHOWN LARGER FOR EASIER IDENTIFICATION

REPAIR PARTS

TRACTOR - - MODEL NUMBER P115B (P115TC90D)

GROUND DRIVE



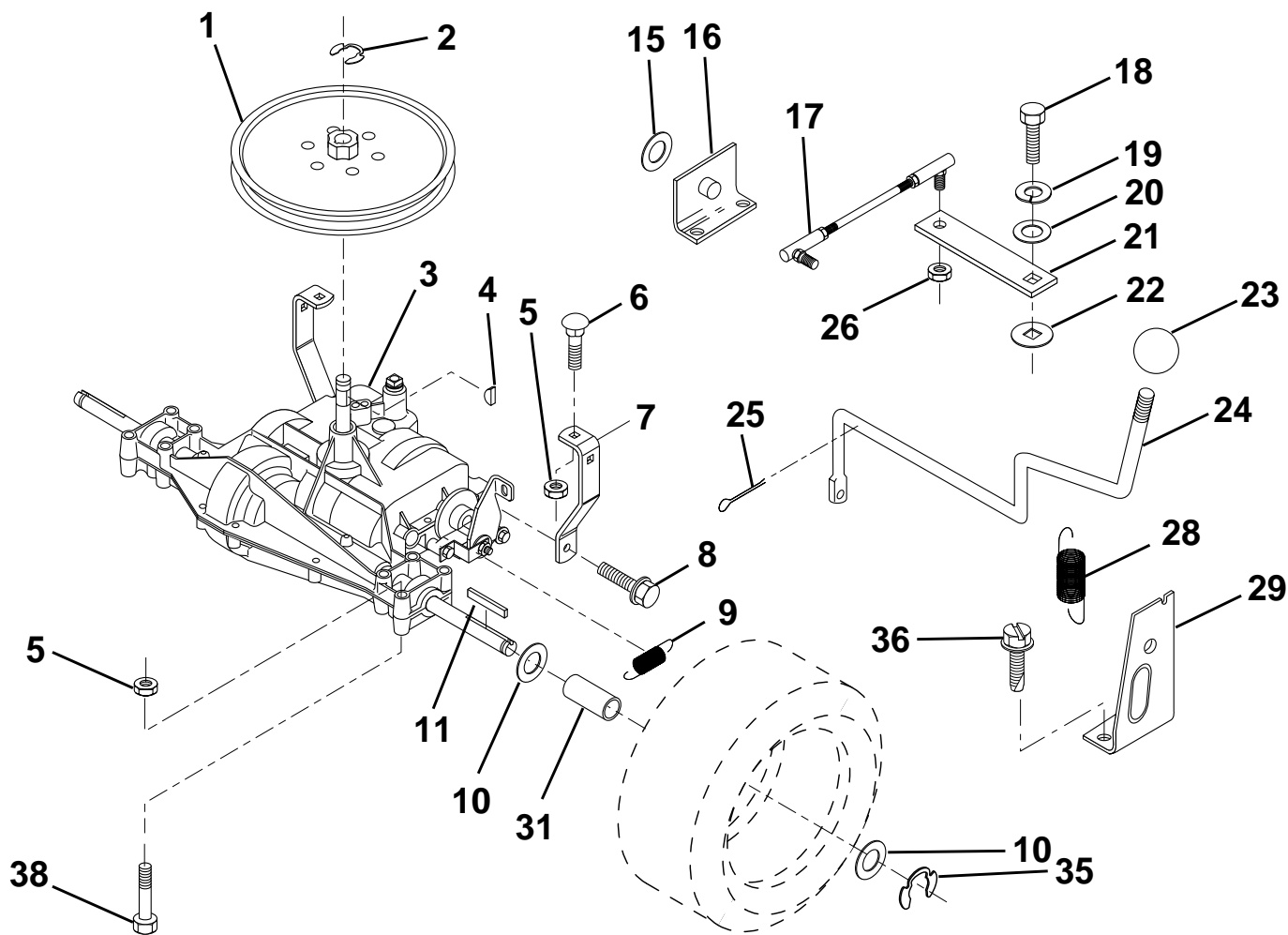
| KEY NO. | PART NO. | DESCRIPTION | KEY NO. | PART NO. | DESCRIPTION |
|---------|-----------|---------------------------------|---------|-----------|---------------------------------|
| 1 | 873680500 | Nut, Crownlock 5/16-18 | 14 | 873930600 | Nut, Centerlock 3/8-16 UNC |
| 2 | 874760512 | Bolt, Hex Hd 5/16-18 UNC x 3/4 | 15 | 873680600 | Nut, Crownlock 3/8-16 UNC |
| 3 | 532141342 | Keeper, Mower Drive, R. H. | 16 | 532126471 | Clip, Insulated |
| 4 | 532138029 | Pulley, Engine | 17 | 532150932 | Spacer, Retainer |
| 5 | 810040700 | Washer, Lock 7/16 | 18 | 532131459 | Spring Extension |
| 6 | 871170744 | Bolt, Fin. Hex 7/16-20 | 19 | 873510500 | Nut, Keps 5/16-18 UNC |
| 7 | 532126520 | Traction, V-Belt Drive | 20 | 532139919 | Keeper, T/A Ground Drive Belt |
| 8 | 532123405 | Keeper, T/A Ground Drive Belt | 21 | 819111016 | Washer 11/32 x 5/8 x 16 Ga. |
| 9 | 872140612 | Bolt, Carr. 3/8-16 UNC x 1-1/2 | 22 | 532123404 | Keeper, Frame Ground Drive Belt |
| 10 | 532123396 | Keeper, Belt Ground Drive Idler | 23 | 532140916 | Keeper, Mower Drive, L. H. |
| 11 | 532150926 | Arm, Ground Drive Clutch | 24 | 817720408 | Screw, Thd. Cut 1/4-20 x 1/2 |
| 12 | 532123674 | Idler, Flat | 25 | 532150935 | Bushing, Nylon |
| 13 | 819131316 | Washer 13/32 x 13/16 x 16 Ga. | | | |

HARDWARE SHOWN LARGER FOR EASIER IDENTIFICATION

REPAIR PARTS

TRACTOR - - MODEL NUMBER P115B (P115TC90D)

TRANSAXLE



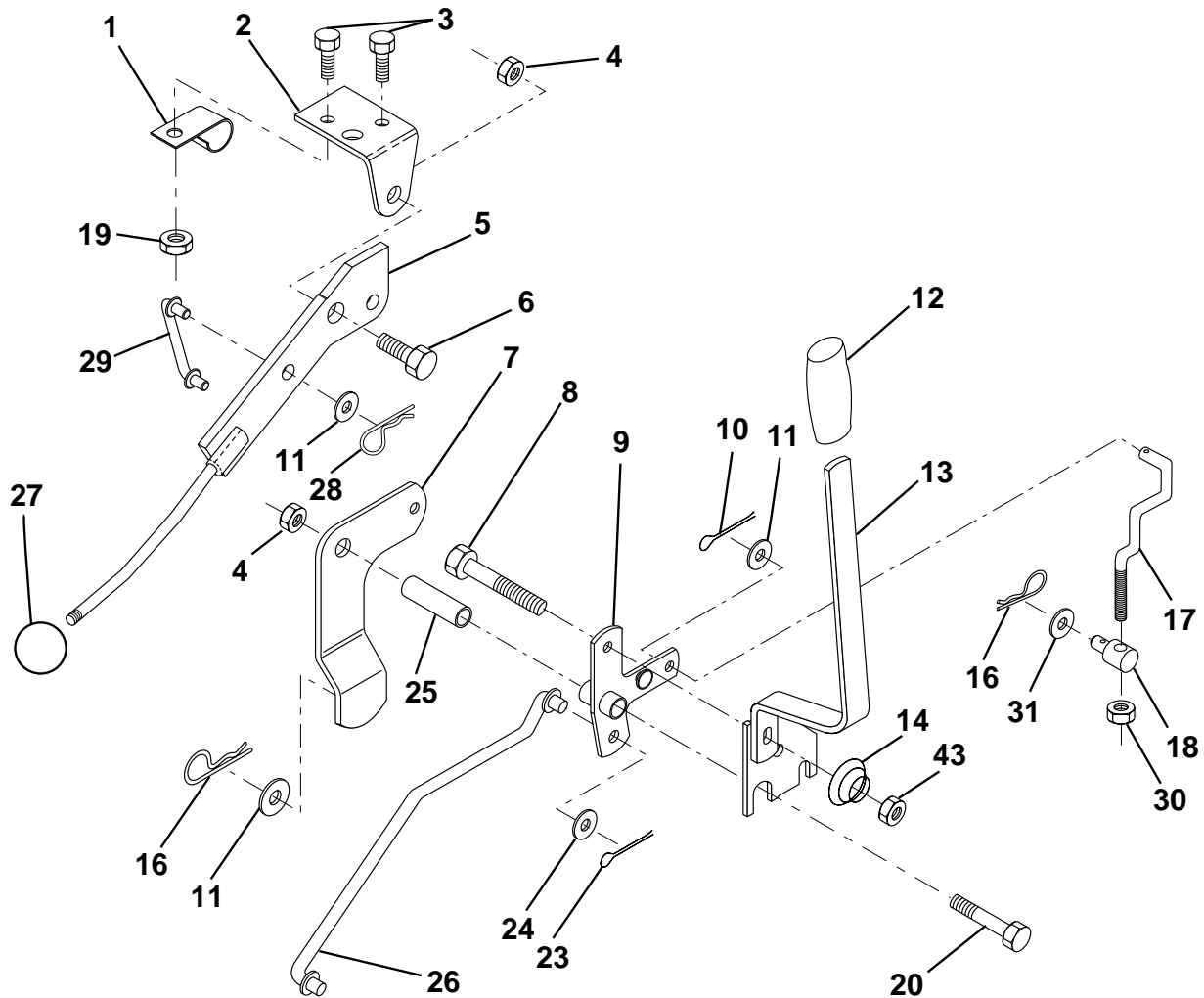
| KEY NO. | PART NO. | DESCRIPTION | KEY NO. | PART NO. | DESCRIPTION |
|---------|-----------|--|---------|-----------|--------------------------------------|
| 1 | 532123385 | Pulley | 18 | 874550412 | Bolt, Fin Hex 1/4-28 UNF x 3/4 Gr. 8 |
| 2 | 812000028 | Ring, Retainer | 19 | 810040400 | Washer, Lock 1/4 |
| 3 | ----- | Transaxle Peerless 205-544C (Order parts from transaxle manufacturer) | 20 | 819091210 | Washer 9/32 x 3/4 x 10 Ga. |
| 4 | 532125096 | Key, Woodruff #9 | 21 | 532126292 | Arm, Shift |
| 5 | 873680500 | Nut, Crownlock 5/16-18 | 22 | 532105701 | Washer, Shift Plate |
| 6 | 872140506 | Bolt, Carriage 5/16-18 UNC x 3/4 | 23 | 532106933 | Knob, Duckhead |
| 7 | 532123378 | Strap, Torque | 24 | 532128215 | Rod, Shift |
| 8 | 817490512 | Screw 5/16-18 x 3/4 | 25 | 876020416 | Pin, Cotter 1/8 x 1 |
| 9 | 532146682 | Spring, Brake | 26 | 873810500 | Nut, Hex Nylon |
| 10 | 532121749 | Washer 25/32 x 1-1/4 x 16 Ga. | 28 | 532128085 | Extension, Spring |
| 11 | 532123583 | Key, Square | 29 | 532128084 | Support Handle Shift RH |
| 15 | 819171616 | Washer 17/32 x 1 x 16 Ga. | 31 | 532137057 | Spacer Split |
| 16 | 532124600 | Support Handle Shift LH | 35 | 812000001 | E-Ring |
| 17 | 532126293 | Link, Shift | 36 | 817720408 | Screw, Thd. Cut 1/4-20 x 1/2 |
| | | | 38 | 874490540 | Bolt Hex Flghd 5/16-18 |

HARDWARE SHOWN LARGER FOR EASIER IDENTIFICATION

REPAIR PARTS

TRACTOR - - MODEL NUMBER P115B (P115TC90D)

MOWER LIFT LEVER



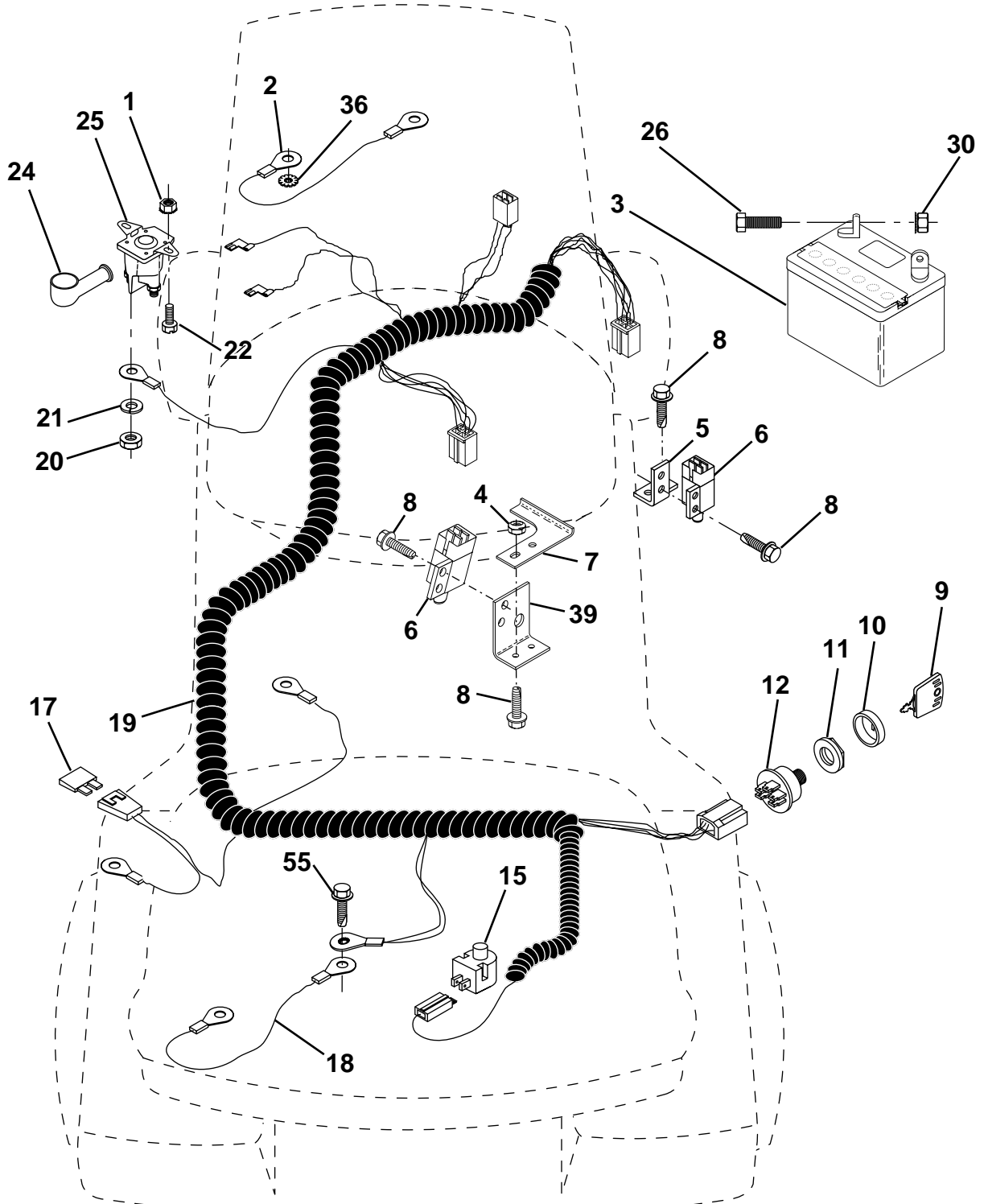
| KEY NO. | PART NO. | DESCRIPTION | KEY NO. | PART NO. | DESCRIPTION |
|---------|-----------|--|---------|-----------|--------------------------------------|
| 1 | 532126470 | Clip, Insulated | 17 | 532127359 | Link, Front Lift |
| 2 | 532122018 | Bracket, Mower Clutch | 18 | 532142028 | Trunnion, Threaded 3/8-16 |
| 3 | 871110408 | Bolt, Fin. Hex 1/4-20 UNC x 1/2 Gr. 5 | 19 | 873680400 | Nut, Crownlock 1/4-20 |
| 4 | 873680600 | Nut, Crownlock 3/8-16 UNC | 20 | 874760644 | Bolt, Fin. Hex 3/8-16 UNC x 2-3/4 |
| 5 | 532145187 | Assembly, Clutch Lever | 23 | 876020416 | Pin, Cotter 1/8 x 1 |
| 6 | 532106451 | Bolt, Shoulder | 24 | 819171612 | Washer 17/32 x 1 x 12 Ga. |
| 7 | 532135371 | Assembly, Mower Clutch Arm | 25 | 532121933 | Tube, Spacer |
| 8 | 874760636 | Bolt, Hex 3/8-16 UNC x 2-1/4 | 26 | 532141470 | Rod, Mower Lift |
| 9 | 532121930 | Assembly, Bracket Lift | 27 | 532106932 | Knob |
| 10 | 876020412 | Pin, Cotter 1/8 x 3/4 | 28 | 532124788 | Retainer Spring |
| 11 | 819131316 | Washer 13/32 x 13/16 x 16 Ga. | 29 | 532131655 | Link, Mower Clutch |
| 12 | 532131861 | Grip, Handle | 30 | 873350600 | Nut Hex Jam 3/8-16 UNC |
| 13 | 532139352 | Assembly, Lift Handle | 31 | 819132012 | Washer 13/32 x 1-1/4 x 12 Ga. |
| 14 | 532123496 | Spring, Compression | 43 | 873900600 | Nut Lock Flg 3/8-16 Unc |
| 16 | 532124961 | Retainer, Spring | | | |

HARDWARE SHOWN LARGER FOR EASIER IDENTIFICATION

REPAIR PARTS

TRACTOR - - MODEL NUMBER P115B (P115TC90D)

ELECTRICAL



REPAIR PARTS

TRACTOR - - MODEL NUMBER P115B (P115TC90D)

ELECTRICAL

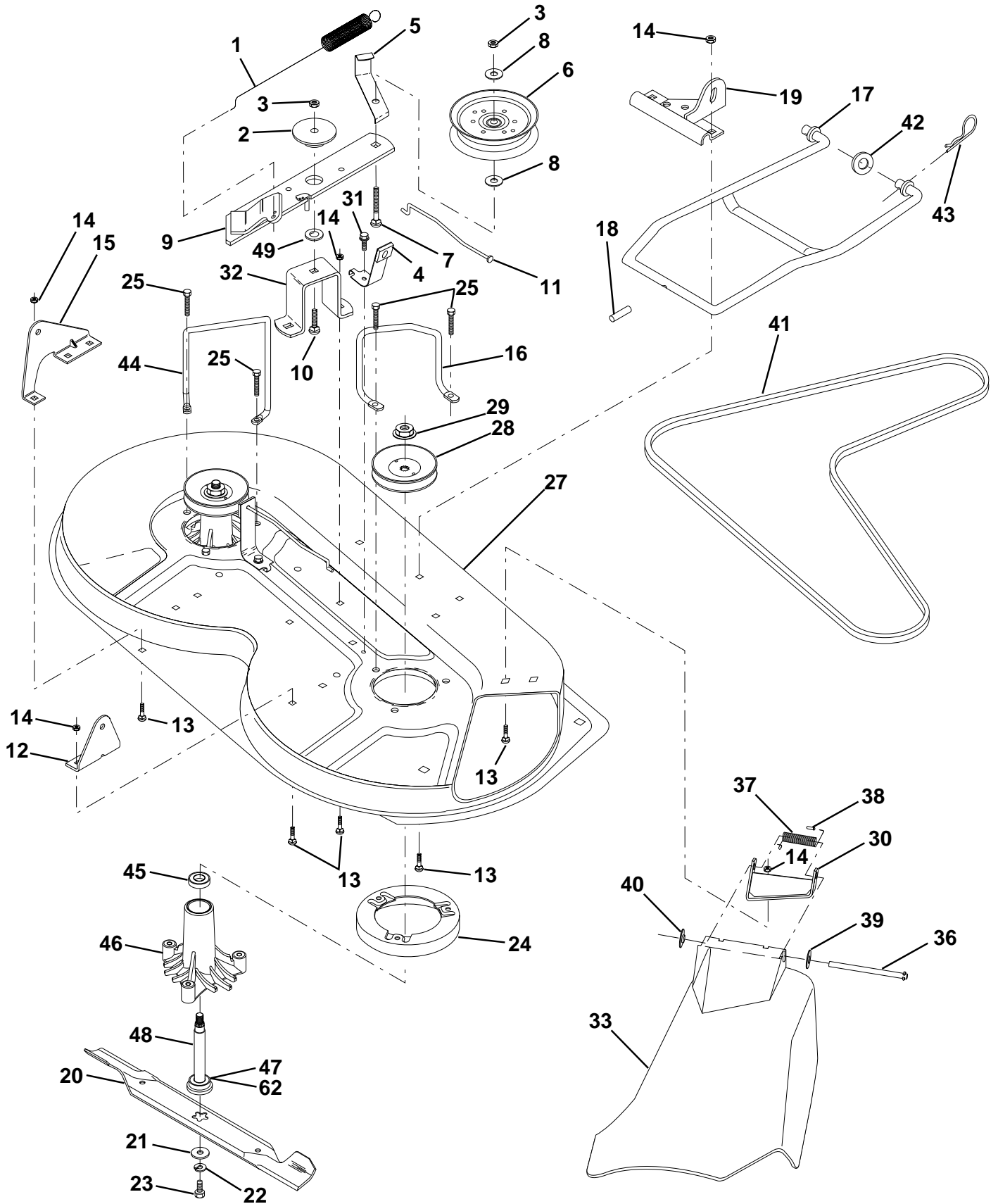
| KEY NO. | PART NO. | DESCRIPTION |
|------------|------------------|--------------------------------|
| 1 | 873640400 | Nut, Hex Keps 1/4-20 |
| 2 | 532004560 | Assembly, Cable |
| 3 | 532144924 | Battery |
| 4 | 532069180 | Nut, Lock #10-24 UNC |
| 5 | 532108236 | Bracket, Switch |
| 6 | 532109553 | Switch, Interlock |
| 7 | 532146374 | keeper, Actuator |
| 8 | 817021008 | Screw, Tap Hex Hd. |
| 9 | 532140401 | Key, Molded |
| 10 | 532141226 | Cover, Key Ignition |
| 11 | 532140400 | Nut, Ignition |
| 12 | 532163088 | Switch, Ignition |
| 15 | 532121305 | Switch, Plunger |
| 17 | 532166180 | Fuse |
| 18 | 532128353 | Assembly, Cable |
| 19 | 532170206 | Harness, Ignition |
| 20 | 873350400 | Nut, Hex Jam 1/4-20 |
| 21 | 810090400 | Washer, Lock 1/4 |
| 22 | 871110408 | Bolt, Fin Hex 1/4-20 UNC x 1/2 |
| 24 | 532131563 | Cover, Terminal |
| 25 | 532145673 | Solenoid |
| 26 | 874760412 | Bolt, Hex Hd. 1/4-20 UNC x 3/4 |
| 30 | 873510400 | Nut Keps Hex 1/4-20 UNC |
| 36 | 811150400 | Washer Lock 1/4 Ext. |
| 39 | 532141735 | Bracket, Switch Clutch |
| 55 | 817490508 | Screw, Thdrol 5/16-18 x 1/2 |

HARDWARE SHOWN LARGER FOR EASIER IDENTIFICATION

REPAIR PARTS

TRACTOR - - MODEL NUMBER P115B (P115TC90D)

MOWER DECK



REPAIR PARTS

TRACTOR - - MODEL NUMBER P115B (P115TC90D)

MOWER DECK

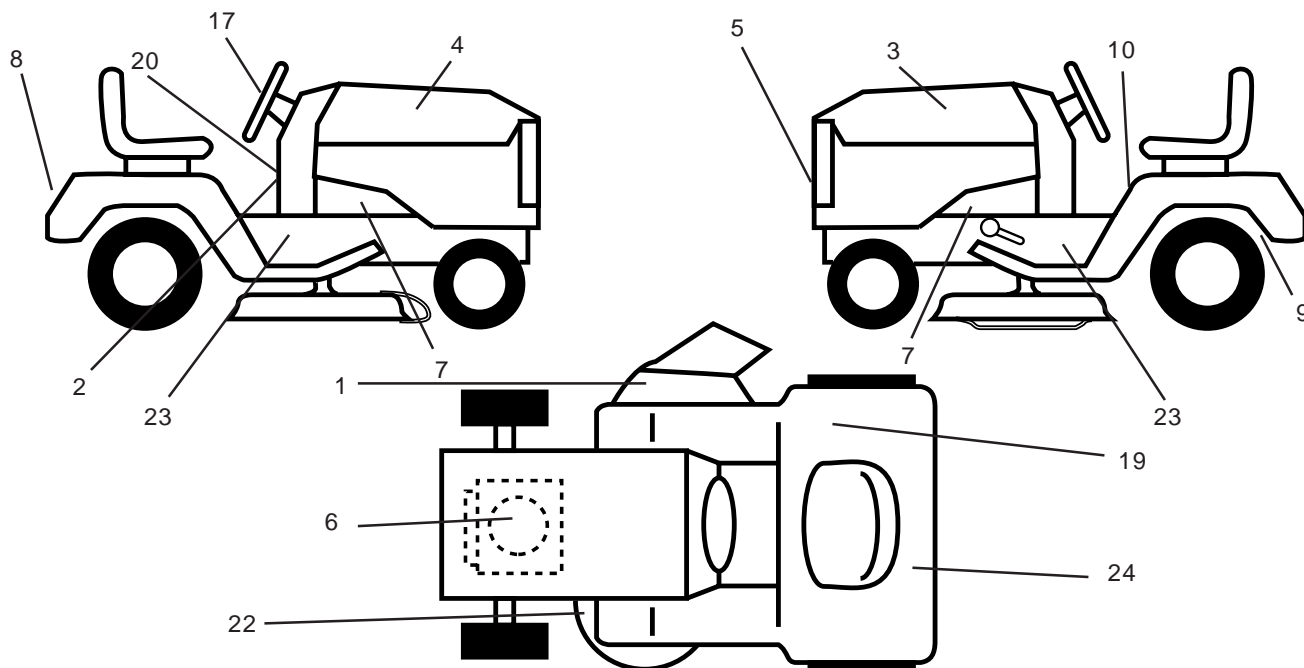
| KEY NO. | PART NO. | DESCRIPTION | KEY NO. | PART NO. | DESCRIPTION |
|---------|------------------|-------------------------------|---------|------------------|--|
| 1 | 532140064 | Spring, Mower Clutch | 28 | 532153531 | Pulley, Mandrel |
| 2 | 532165723 | Spacer, Retainer | 29 | 532137266 | Nut, Flangelock 9/16 |
| 3 | 873680600 | Nut, Crownlock | 30 | 532136631 | Bracket, Asm. Deflector |
| 4 | 532130840 | Brake Asm. | 31 | 817490508 | Screw, Hex Wsh. Thdrol. 5/16-18 x 1/2 |
| 5 | 532131251 | Guide, Belt Idler | 32 | 532122051 | Arm, Support Idler Mower |
| 6 | 532121316 | Pulley, Flat Idler | 33 | 532171156 | Deflector |
| 7 | 872110616 | Bolt, Carr. 3/8-16 x 2 Gr. 5 | 36 | 532121980 | Rod, Hinge |
| 8 | 819131410 | Washer 13/21 x 7/8 x 10 Ga. | 37 | 532123713 | Spring, Torsion Deflector |
| 9 | 532127744 | Arm Asm., Idler Mower | 38 | 532105304 | Cap, Sleeve |
| 10 | 872140610 | Bolt, Carriage 3/8-16 x 1-1/4 | 39 | 819111016 | Washer 11/32 x 5/8 x 16 Ga. |
| 11 | 532130841 | Rod, Brake | 40 | 532110452 | Pushnut |
| 12 | 532127356 | Bracket, Lift R.H. Rear | 41 | 532131264 | V-Belt |
| 13 | 872140506 | Bolt, Carriage 5/16-18 x 3/4 | 42 | 819171616 | Washer 11/32 x 5/8 x 16 Ga. |
| 14 | 873680500 | Nut, Crownlock 5/16-18 | 43 | 532124660 | Retainer, Spring |
| 15 | 532127357 | Bracket, Lift L.H. Rear | 44 | 532140608 | Keeper, L.H. |
| 16 | 532153298 | Keeper, R.H. | 45 | 532110485 | Bearing |
| 17 | 532128508 | Link, Asm. Mower Stabilizer | 46 | 532128774 | Housing, Mandrel |
| 18 | 532128511 | Pin, Drive | 47 | 532129895 | Bearing |
| 19 | 532127380 | Bracket, Asm. Front | 48 | 532137645 | Shaft, Asm. Mandrel (Incl. Key #47) |
| 20 | 532138496 | Blade | 49 | 532133943 | Washer Hardened |
| 21 | 532140296 | Washer, Hard | 62 | 532153390 | Washer Felt |
| 22 | 810030600 | Washer, Lock 3/8 | -- | 532130794 | Mandrel Asm. (Includes Key Nos. 21-23, 26, 29 and 45-48) |
| 23 | 532850857 | Bolt 3/8-24 x 1-1/4 Gr. 8 | -- | 532156866 | Deck, Service Complete |
| 24 | 532140329 | Stripper | | | |
| 25 | 532157722 | Screw Thdrol. Wsh Head | | | |
| 27 | 532156600 | Deck Assembly | | | |

HARDWARE SHOWN LARGER FOR EASIER IDENTIFICATION

REPAIR PARTS

TRACTOR - - MODEL NUMBER P115B (P115TC90D)

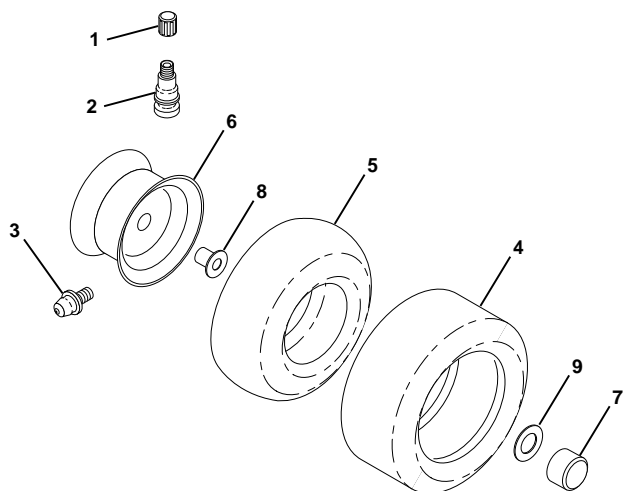
DECALS



| KEY NO. | PART NO. | DESCRIPTION |
|---------|------------------|----------------------------------|
| 1 | 532145494 | Decal, Cutfinger |
| 2 | 532145437 | Decal, Europ. Stand. CE Tractors |
| 3 | 532166744 | Decal, Hood, L. H. |
| 4 | 532166743 | Decal, Hood, R. H. |
| 5 | 532140951 | Decal, Grill |
| 6 | 532163853 | Decal, Tec Engine HP |
| 7 | 532159736 | Decal, Chassis Hot Muffler |
| 8 | 532140987 | Decal, Fender |
| 9 | 532162598 | Decal, Drawbar Load Limit |
| 10 | 532145498 | Decal, Read, Owners Manual Syms |

| KEY NO. | PART NO. | DESCRIPTION |
|---------|-----------|-----------------------------|
| 17 | 532146998 | Decal, Steering Wheel |
| 19 | 532126187 | Decal DBA |
| 20 | 532159739 | Decal, Brake/Clutch Symbols |
| 22 | 532136830 | Decal, V-Belt Sch. |
| 23 | 532137588 | Decal, Chas. Turbo |
| 24 | 532145005 | Decal, Bat. Dan/Poi |
| -- | 532138311 | Decal, Handle, Lift |
| -- | 532172228 | Manual, Operator's (Euro.) |
| -- | 532172229 | Manual, Operator's (Scan.) |

WHEELS & TIRES



| KEY NO. | PART NO. | DESCRIPTION |
|---------|-----------|--|
| 1 | 532059192 | Cap, Valve |
| 2 | 532065139 | Stem, Valve |
| 3 | 532124957 | Fitting, Grease (Front Wheels Only) |
| 4 | 532137422 | Tire, Front |
| 4 | 532132703 | Tire, Rear |
| 5 | 532059904 | Tube, Front (Optional Service Item Only) |
| 5 | 532008134 | Tube, Rear (Optional Service Item Only) |
| 6 | 532141472 | Rim, Front |
| 6 | 532141268 | Rim, Rear |
| 7 | 532104757 | Cap, Axle |
| 8 | 532124959 | Bearing, Flange |
| 9 | 532121748 | Washer 25/32 x 1-5/8 x 16 Ga. |
| -- | 532144334 | Sealant, Tire (10 oz. Tube) |